

1

2

3

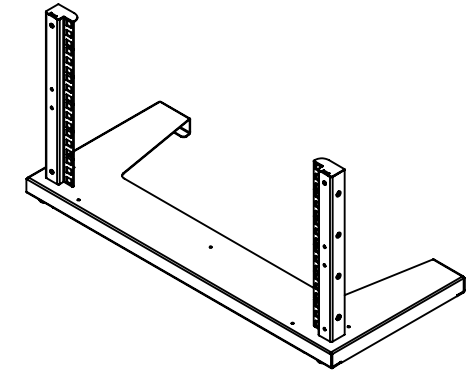
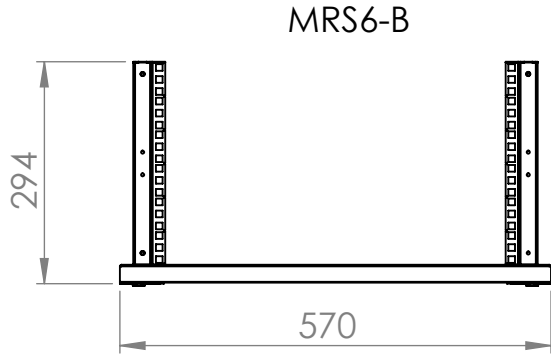
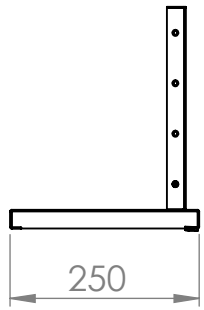
4

5

6

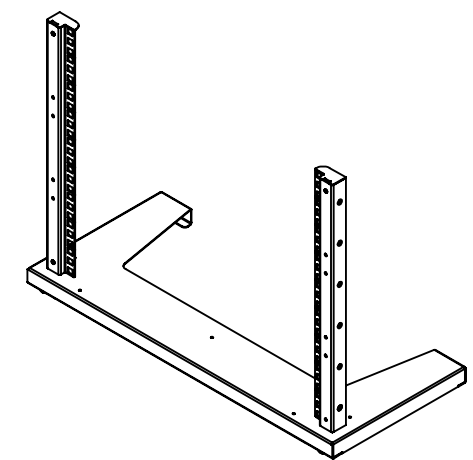
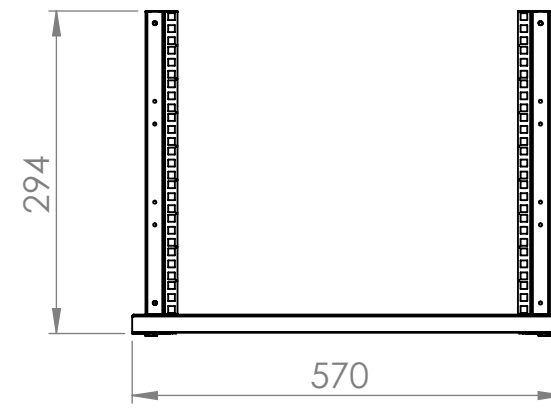
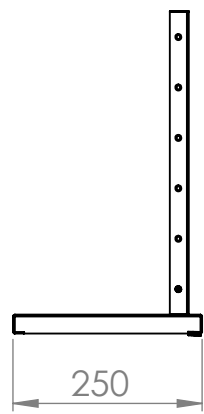
A

A



B

B



C

C

D

REVISION	DATE	MFG	COMMENT:

UNLESS OTHERWISE SPECIFIED:
 DIMENSIONS ARE IN MILLIMETERS
 SURFACE FINISH:
 TOLERANCES:
 LINEAR:
 ANGULAR:

PROJECT

Rack Stand Specs

TITLE:

A & G Sexton GmbH

MATERIAL:
 SCALE: 1:10
 FINISH:

DWG NO.
 PART NO.
 MANUFACT. NO. SHEET 3 OF 3