

1

2

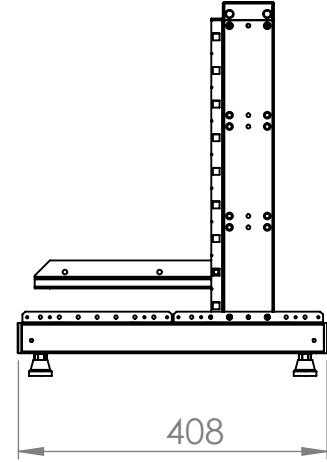
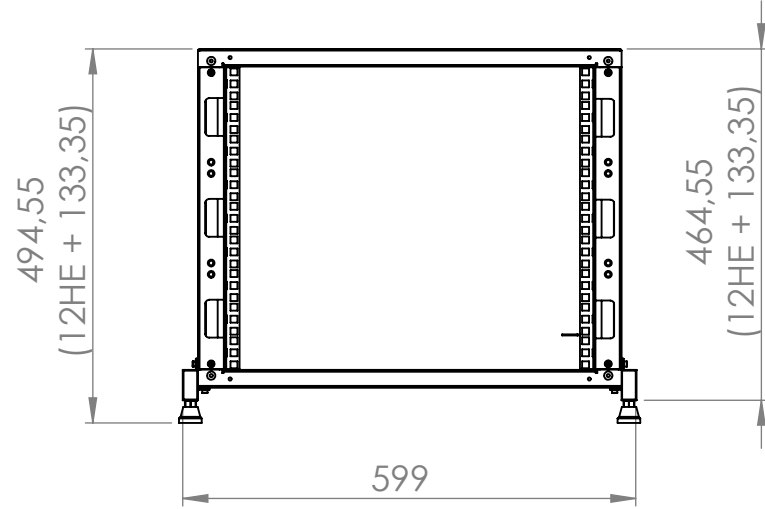
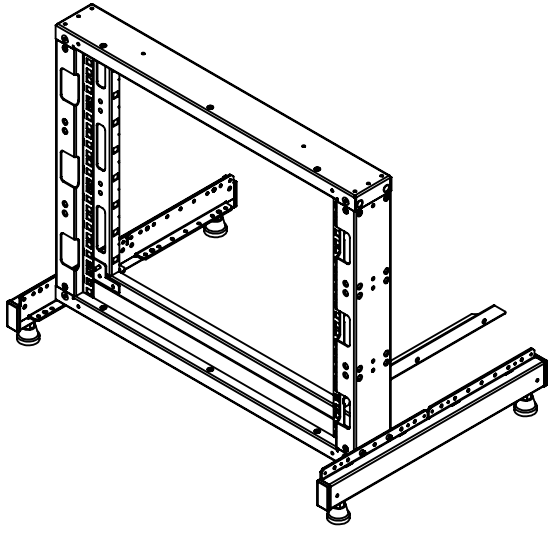
3

4

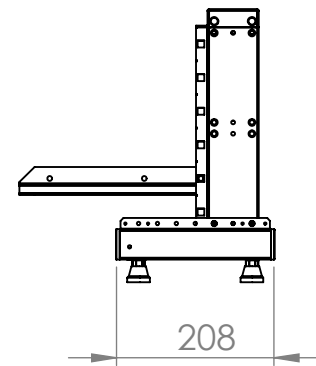
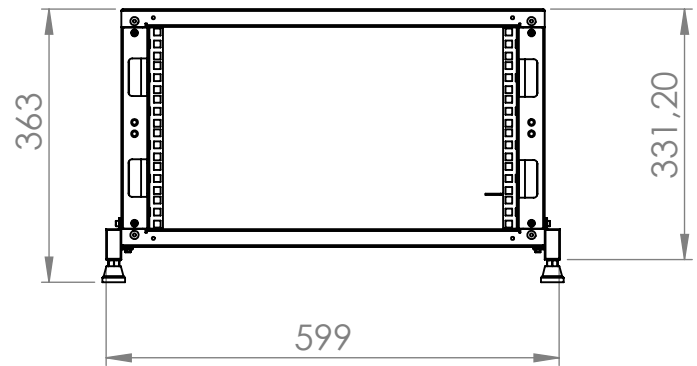
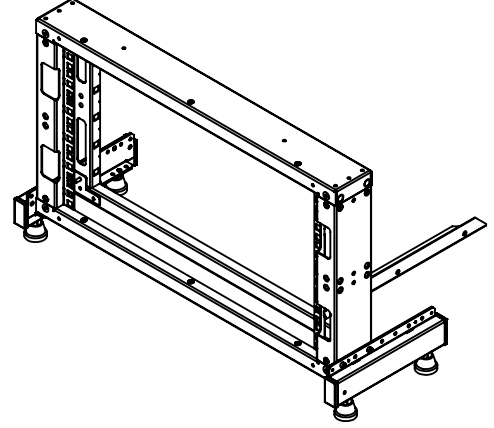
5

6

### RS9 (12)



### RS6



D

REVISION	DATE	MFG	COMMENT:	PROJECT	TITLE:

UNLESS OTHERWISE SPECIFIED:  
 DIMENSIONS ARE IN MILLIMETERS  
 SURFACE FINISH:  
 TOLERANCES:  
 LINEAR:  
 ANGULAR:

**A & G Sexton GmbH**

MATERIAL:	DWG NO.
SCALE: 1:10	PART NO.
FINISH:	MANUFACT. NO.
	SHEET 1 OF 4

A

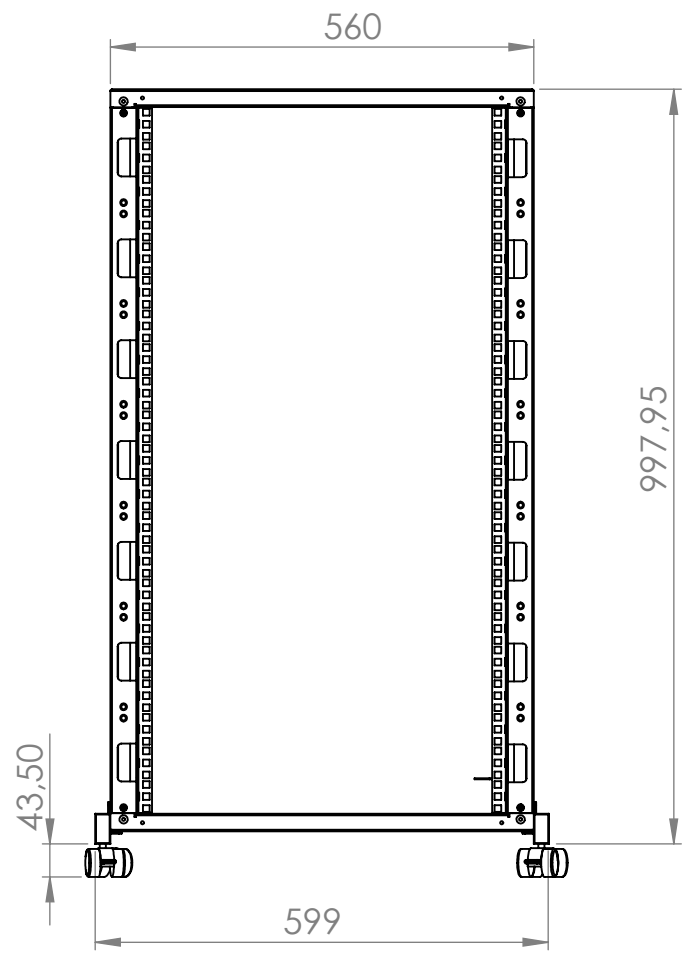
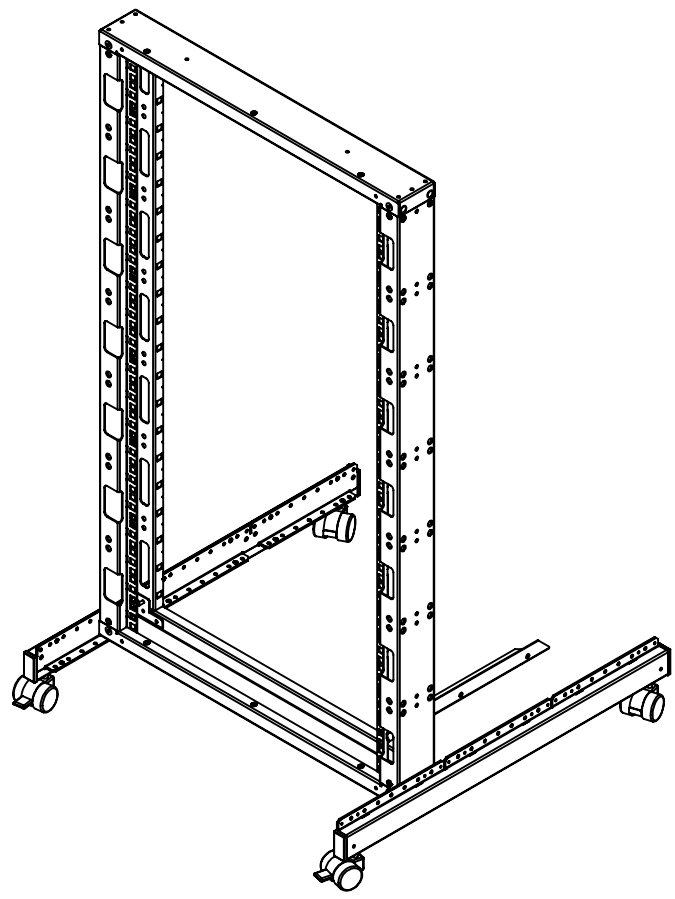
B

C

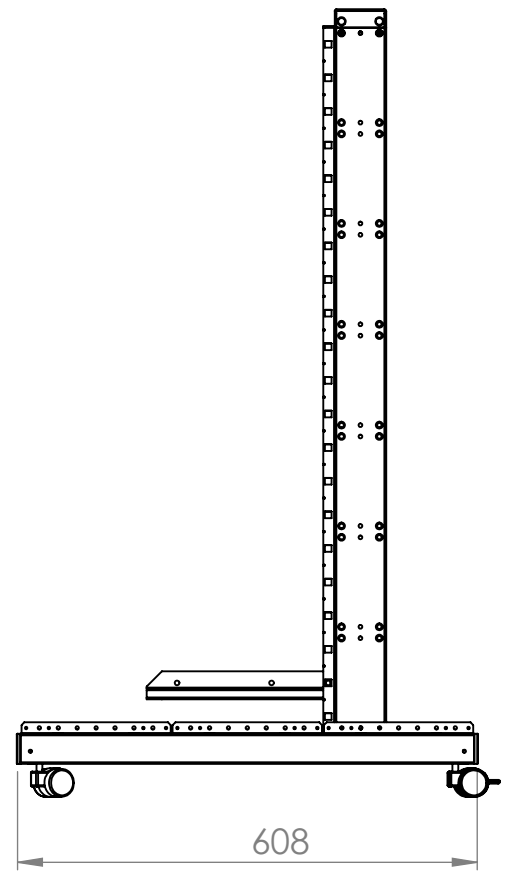
A

B

C



RS21



D

REVISION	DATE	MFG	COMMENT:	PROJECT	TITLE:

UNLESS OTHERWISE SPECIFIED:  
 DIMENSIONS ARE IN MILLIMETERS  
 SURFACE FINISH:  
 TOLERANCES:  
 LINEAR:  
 ANGULAR:

**A & G Sexton GmbH**

MATERIAL:	DWG NO.
SCALE: 1:10	PART NO.
FINISH:	MANUFACT. NO.
	SHEET 2 OF 4