

1

2

3

4

5

6

A

A

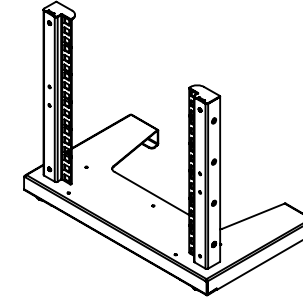
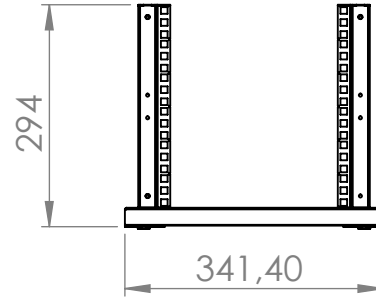
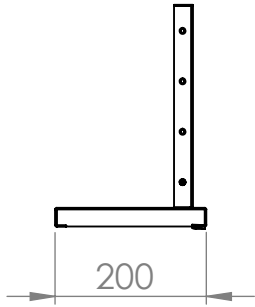
B

B

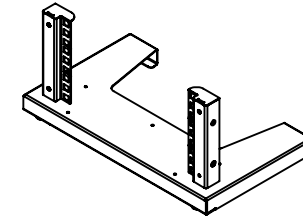
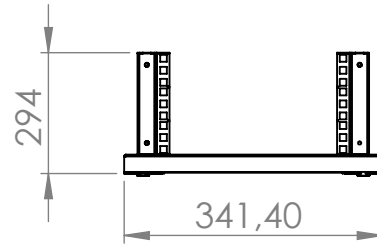
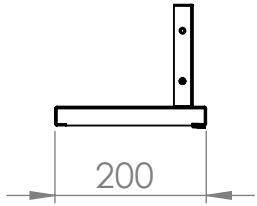
C

C

MRS10-6



MRS10-3



D

REVISION	DATE	MFG	COMMENT:

PROJECT

# Rack Stand Specs

TITLE:

UNLESS OTHERWISE SPECIFIED:  
 DIMENSIONS ARE IN MILLIMETERS  
 SURFACE FINISH:  
 TOLERANCES:  
 LINEAR:  
 ANGULAR:

**A & G Sexton GmbH**

MATERIAL:  
 SCALE: 1:10  
 FINISH:

DWG NO.  
 PART NO.  
 MANUFACT. NO. SHEET 4 OF 4