

1

2

3

4

5

6

A

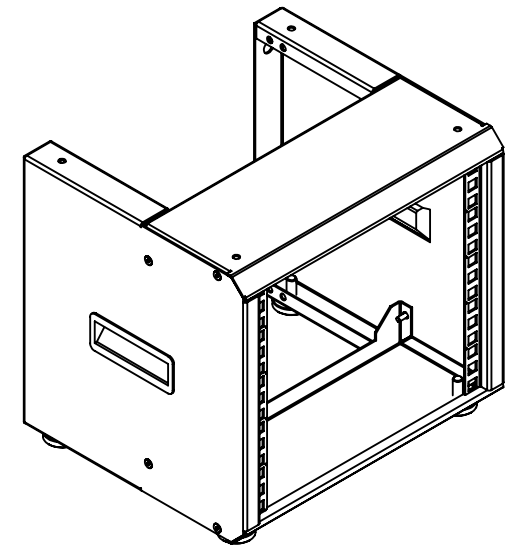
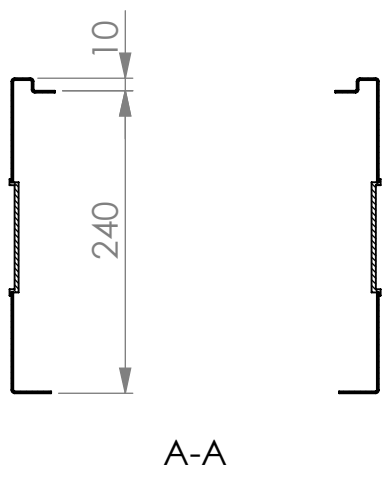
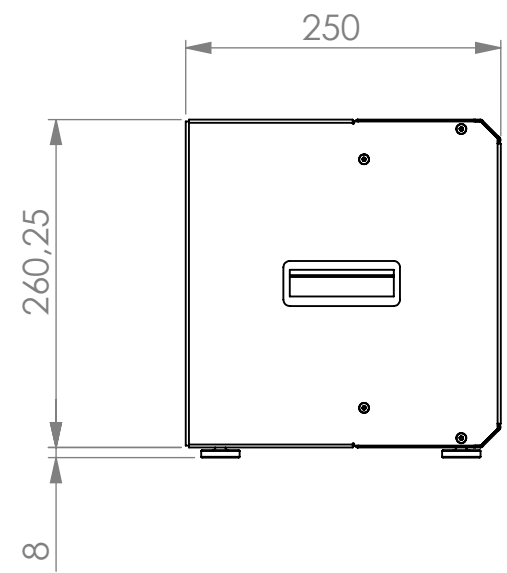
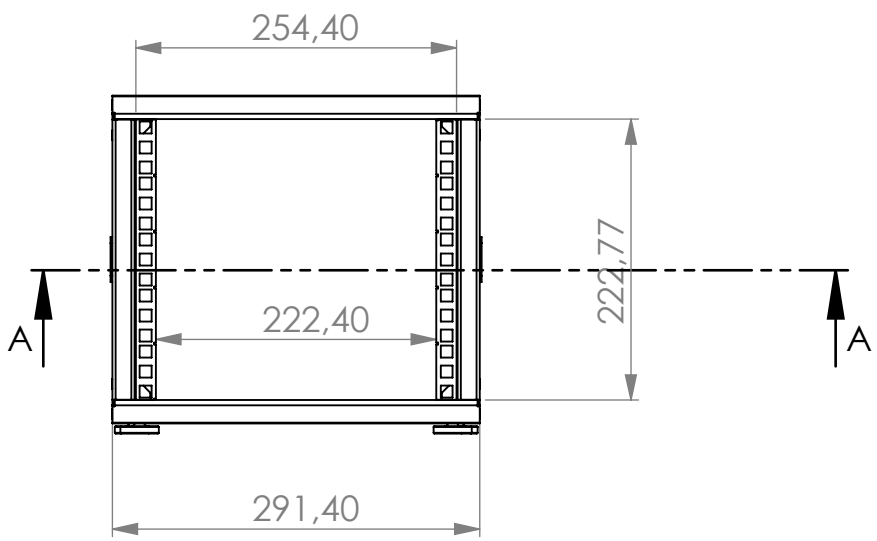
A

B

B

C

C



D

REVISION	DATE	MFG	COMMENT:

PROJECT
Easy Rack Bemaßung

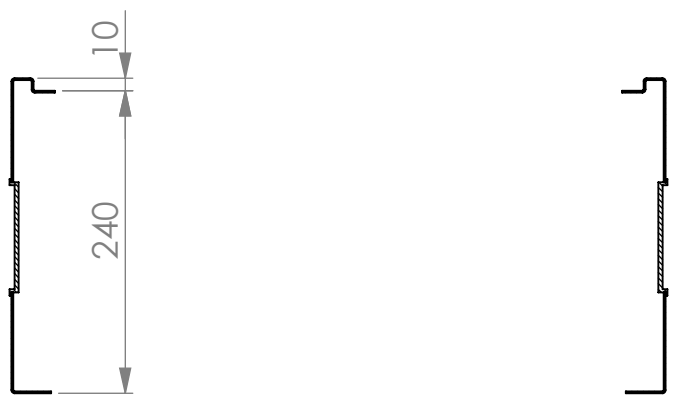
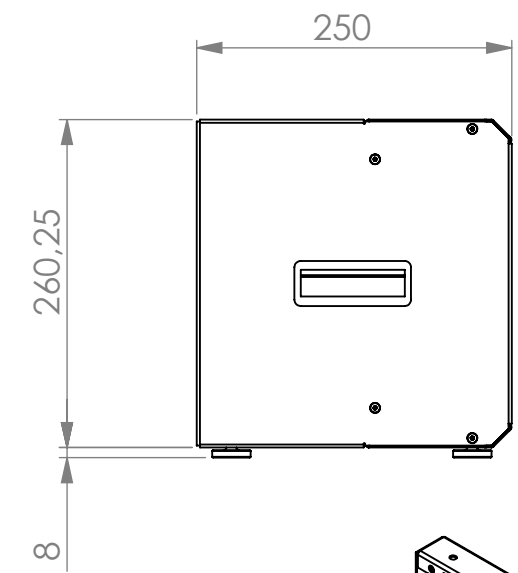
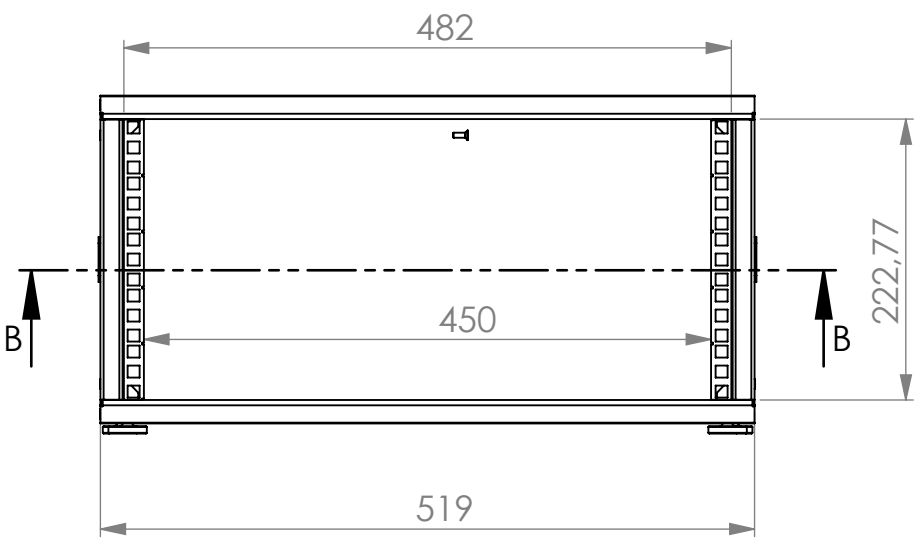
TITLE:
10" Rack

UNLESS OTHERWISE SPECIFIED:
 DIMENSIONS ARE IN MILLIMETERS
 SURFACE FINISH:
 TOLERANCES:
 LINEAR:
 ANGULAR:

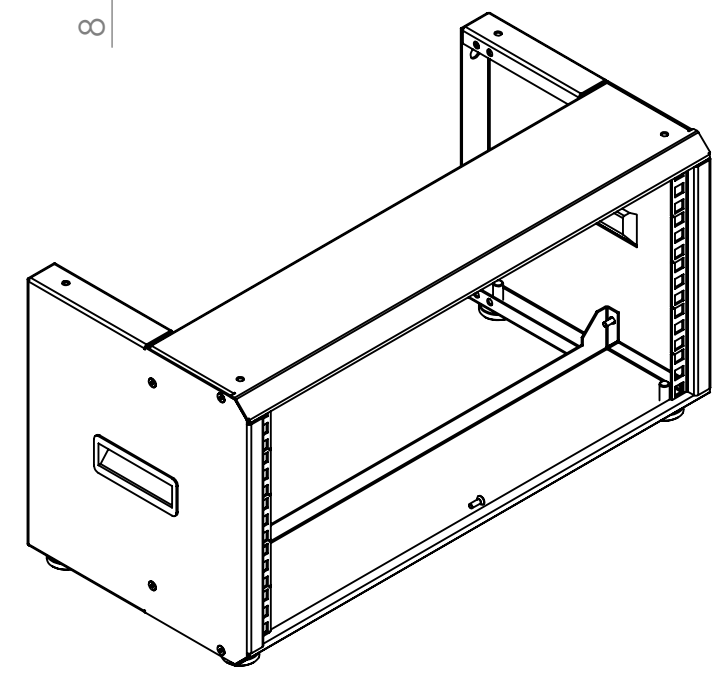
A & G Sexton GmbH

MATERIAL:
 SCALE: 1:6
 FINISH:

DWG NO.
 PART NO.
 MANUFACT. NO. SHEET 1 OF 2



B-B



REVISION	DATE	MFG	COMMENT:

PROJECT
Easy Rack Bemaßung

TITLE:
19" Rack

UNLESS OTHERWISE SPECIFIED:
 DIMENSIONS ARE IN MILLIMETERS
 SURFACE FINISH:
 TOLERANCES:
 LINEAR:
 ANGULAR:

A & G Sexton GmbH

MATERIAL:
 SCALE: 1:6
 FINISH:

DWG NO.
 PART NO.
 MANUFACT. NO.
 SHEET 2 OF 2